

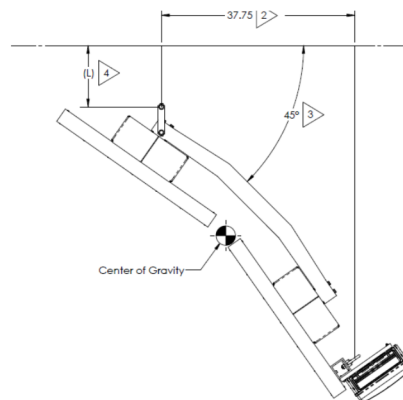
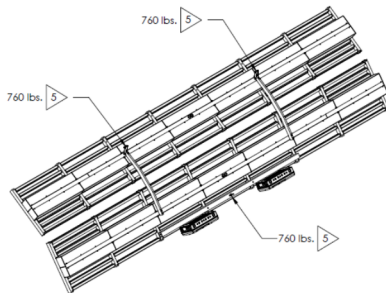
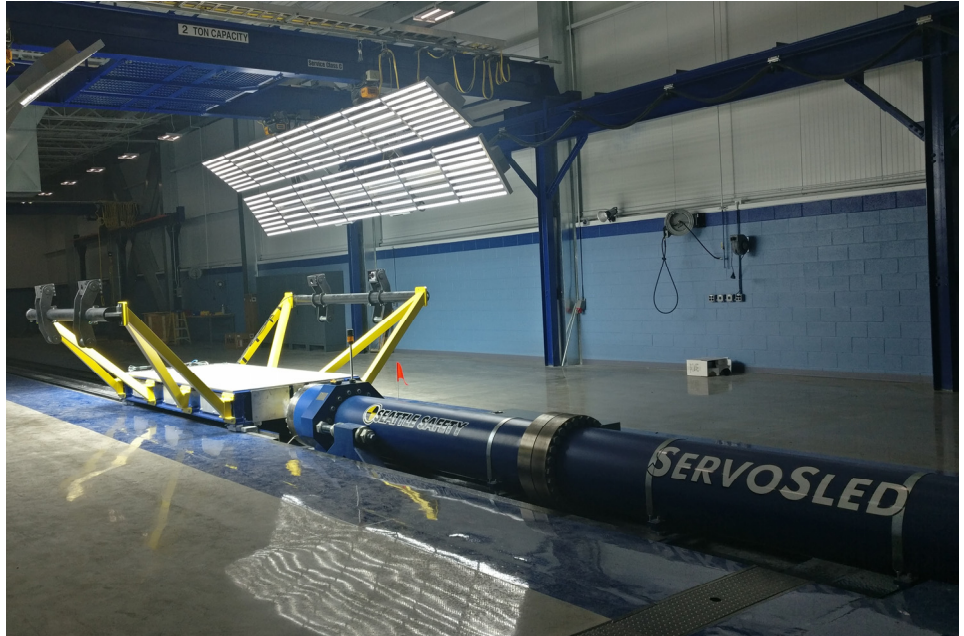
200 Klux LED Lighting System

Provided by Seattle Safety

- Qty 2: LED Light banks consisting of 2 Array's per bank
- Light Bank loading diagram and Electrical Requirements
- Hanging of bank on customer supplied mounting points.
- Low Voltage wiring from Lighting bank to Control system
- Illumination Plane Pre-Shipment Report
- Illumination Plane Final Installation Report

Provided by Customer

- Overhead Mounting Points: typically 3 points per Bank



System Specifications:

Minimum Average Illumination	200 Klux Average
Lighting Tolerance	50% Tolerance
Illumination Plane Size	1.7m x 7.0m
Run time:	5 Minutes (100%)
Illumination Source Setback	3m
Nominal Weight per bank	1040 kg
Nominal Power	31.8 kW per array; 127.2 kW system total

Key Features:

- Simple ON/OFF control
- Remote pendant control for camera setup
- Manual Tilt control of array
- Simple electrical connection (one connection per array)
- Fixed hanging structure with 3 hang points per Bank
- All common voltages, single and 3-phase
- 6500K standard, other color temperatures on request

4502 B Street Northwest
 Building 1
 Auburn WA, 98001
 Phone: +1-253-395-4321
 Email: sales@seattlesafety.com

Visit our Website at
www.seattlesafety.com

Note: Any performance data contained herein is operating-condition dependent. Material is confidential and proprietary to Seattle Safety and is not to be disclosed or reproduced in whole or in part without prior written agreement from Seattle Safety.