

Photron



FASTCAM SA-Z

1-Megapixel CMOS Image Sensor:

1024 x 1024 pixels at 20,000fps
 896 x 896 pixels at 25,000fps
 768 x 512 pixels at 50,400fps
 512 x 384 pixels at 87,500fps
 512 x 256 pixels at 120,000fps

Maximum Frame Rate:

224,000fps (FASTCAM SA-Z type 200K)
 480,000fps (FASTCAM SA-Z type 480K)
 2,100,000fps (FASTCAM SA-Z type 2100K)

Class Leading Light Sensitivity:

ISO 12232 Ssat
 • ISO 50,000 monochrome
 • ISO 20,000 color

Global Electronic Shutter:

1ms to 159ns independent of frame rate
 (sub-microsecond shutter available on type 2100K only, subject to export control)

Dynamic Range (ADC):

12-bit monochrome, 36-bit color

Internal Recording Memory:

8GB, 16GB, 32GB, 64GB, or 128GB

Optional FASTDrive High Capacity Non-Volatile Data Storage:

1TB or 2TB high-speed solid state drive

Fast Gigabit Ethernet Interface:

Dual Gigabit Ethernet Interface provides high-speed image download to standard notebook/PC

Flexible Frame Synchronization:

Frame rate may be synchronized to external unstable frequencies

Fan Stop Function:

Remotely switch off cooling fans to eliminate vibration when recording at high magnifications

High performance high-speed camera system

The Photron FASTCAM SA-Z offers scientists, researchers and engineers the ability to capture high resolution digital images at ultra-high speeds to see and understand previously invisible processes and events. Using Photron's proprietary CMOS image sensor technology, the FASTCAM SA-Z combines high recording rates with outstanding light sensitivity and excellent image quality to provide the most versatile ultra-high speed digital camera available today.

The ultra-high speed FASTCAM SA-Z provides megapixel image resolution at frame rates up to 21,000 frames per second (fps) from its highly light sensitive image sensor (monochrome ISO 50,000) with 12-bit dynamic range delivering the ultimate imaging performance. The FASTCAM SA-Z provides frame rates greater than 2 million fps at reduced image resolution and shutter speeds as short as 159 nanoseconds (export restrictions may apply).

An innovative camera body design exploiting heat-pipe technology provides a thermally stable and reliable high-speed imaging system suitable for use in the most challenging environments. Available in 12-bit monochrome or 36-bit color versions with recording memory options from 8GB to 128GB, the FASTCAM SA-Z offers versatility of use in a wide range of scientific and industrial applications.

Standard operational features of the FASTCAM SA-Z include a mechanical shutter to allow remote system calibration, dual-channel Gigabit Ethernet Interface for fast image download, and internal memory card drives allowing image download and storage to low cost removable recording media. The system also features memory segmentation to allow recording in one memory partition while at the same time downloading a previous recording, and the ability to remotely switch off cooling fans to eliminate vibration when recording at high magnifications.

FASTCAM SA-Z is optionally available with the FASTDrive removable SSD drive permitting high-speed transfer of image data from camera recording memory to removable mass storage media enabling repeated recordings to be made in quick succession without the delays associated with download of data to a PC.



Light Sensitivity:

Expressions of light sensitivity in high-speed cameras can be confusing as a variety of differing measurement techniques are used. Photron publishes light sensitivity figures for its products using the ISO 12232 Ssat Standard.

| FASTCAM SA-Z | ISO 12232 Ssat |
|-------------------|----------------|
| Monochrome models | ISO 50,000 |
| Color models | ISO 20,000 |

ISO 12232 Ssat values published by Photron for both monochrome and color cameras are measured excluding infrared sensitivity as defined by the ISO standard measurement procedure ISO 14524.

Monochrome sensors used in the FASTCAM SA-Z are supplied without an IR absorbing filter, extending the camera spectral response beyond 900nm. When the sensitivity of the FASTCAM SA-Z is measured to tungsten light including near IR response an equivalent value of ISO 125,000 is obtained.

Image Sensor:

The FASTCAM SA-Z uses an advanced CMOS image sensor optimized for light sensitivity and high image quality that is unique to Photron.

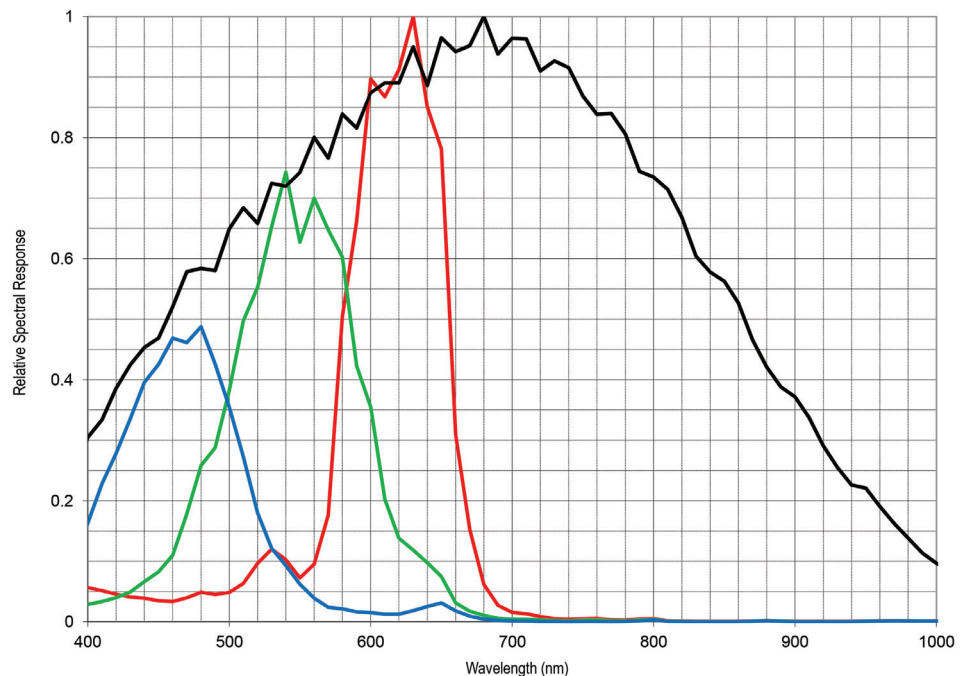
A 20-micron pixel pitch gives a sensor size at full image resolution of 20.48 x 20.48mm (diagonal 28.96mm).

Lenses designed for both FX (35mm full frame) and also DX (APS-C digital SLR) formats are fully compatible with the FASTCAM SA-Z at full image resolution.

| | |
|-----------------------------|--|
| Sensor Type | Proprietary Design Advanced CMOS |
| Maximum Resolution (pixels) | 1024 x 1024 pixels |
| Sensor Size / Diagonal | 20.48 x 20.48mm / 28.96mm |
| Pixel Size (microns) | 20 μ m x 20 μ m |
| Quantum Efficiency | 46% at 630nm |
| Fill Factor | 58% |
| Color Matrix | Bayer CFA (single sensor) |
| ISO 12232 Ssat sensitivity | ISO 50,000 monochrome ISO 20,000 color (monochrome sensor equivalent ISO 125,000 including near IR response) |

Shutter
Global Electronic Shutter 1ms to 1 μ s independent of frame rate (2100K only: 159ns shutter available subject to export control)

FASTCAM SA-Z Relative Spectral Response Curves - Monochrome and Color



Camera Performance Specifications

| Model | SA-Z |
|---|---|
| Full Frame Performance | 20,000fps 1024 x 1024 pixels |
| Maximum Frame Rate | Type 200K: 224,000fps Type 480K: 480,000fps* Type 2100K: 2,100,000fps* |
| Minimum Exposure | Global electronic shutter to 1 μ s selectable independent of frame rate (159ns option available with SA-Z type 2100K only) * |
| Ruggedized Mechanical Calibration Shutter | Standard Feature |
| Dynamic Range (ADC) | 12-bit monochrome 36-bit color |
| Memory Capacity Options | 8GB: 5,453 frames at full resolution 16GB: 10,914 frames at full resolution 32GB: 21,837 frames at full resolution 64GB: 43,682 frames at full resolution 128GB: 87,373 frames at full resolution |
| Memory Partitions | Up to 128 memory segments |
| Region of Interest | Selectable in steps of 128 pixels (horizontal) x 8 pixels (vertical) |
| Trigger Inputs | Selectable +/- TTL 5V and switch closure |
| Trigger Delay | Programmable on selected input / output triggers: 100ns resolution |
| Input / Output | Input: Trigger (TTL/Switch), sync, ready, event, IRIG Output: trigger, sync, ready, rec, exposure |
| Trigger Modes | Start, end, center, manual, random, random reset, random center, random manual, random loop, record on command |
| Time Code Input | IRIG-B |
| External Sync | +/- TTL 5Vp-p Variable frequency sync |
| Camera Control Interface | High-speed Gigabit Ethernet - (Single or Dual connections) |
| Image Data Display | Frame rate, shutter speed, trigger mode, date/time, status, real time / IRIG time, frame count, resolution |
| Saved Image Formats | JPEG, AVI, TIFF, BMP, RAW, RAWW, MRAW, PNG, MOV, and FTIF - Images can be saved with or without image data and in 8-bit, 16-bit or 36-bit depth of sensor where supported |
| Supported OS | Microsoft Windows operating system including: 7, 8, 8.1, 10 (32/64-bit) |

* Frame rates above 225,000fps and exposure times below 1 μ s may be subject to export control regulations in some areas

Removable Data Storage Options:

To enable the rapid transfer of camera memory data to high capacity, removable non-volatile storage media the FASTCAM SA-Z offers two options:

Supplied as standard with the system are two UHS-I (SDR104) compatible SD memory card drives. Readily available high capacity SD cards compatible with these drives offer a low cost and convenient non-volatile removable storage option.

Optionally, the FASTCAM SA-Z can be supplied with the Photron FASTDrive high capacity removable SSD media system in place of SD card drives. The ultra-high data rate FASTDrive system allows a 64GB camera memory recording to be transferred to a removable SSD media drive in approximately 1 minute. Recorded data can then be directly accessed while coupled to the camera or the drive may be removed and inserted into the portable FASTDock station connected to any Windows PC.

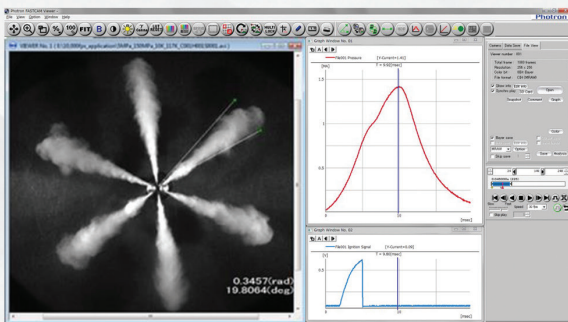


Camera Operation Features

| | |
|--|--|
| Frame Synchronization | Accurate frame synchronization with other cameras and with external and unstable frequencies. |
| Dual Slope Shutter (Extended Dynamic Range) | Selectable in 20 steps (0 to 95% in 5% increments) to prevent pixel over exposure without post processing. |
| Memory Partitions | Up to 128 memory segments allow multiple events to be stored in camera memory before downloading, with automatic progression to the next available partition. |
| Low Light Mode | Operation at minimum frame rate with separately adjustable shutter time to allow easy camera set-up and focus in ambient lighting. |
| Video Output | Live and playback via dual HD-SDI or RS-170 (NTSC/PAL) (zoom, pan, scroll control via optional LCD keypad). |
| IRIG Phase Lock | Enables multiple cameras to be synchronized together with other instrumentation equipment to a master external time source. |
| Internal Delay Generator | Allows programmable delays to be set on input and output triggers, 100ns resolution. |
| Event Markers | Up to ten user entered event markers to define specific events within the recorded image sequence . |
| Download While Recording | FASTCAM SA-Z supports Partition Recording Mode, allowing image data captured in one memory partition to be downloaded while at the same time recording into another partition. |
| Automatic Download | The system can be set to automatically download image data to the control PC and, when download is complete to re-arm in readiness for the next trigger with automatically incremented file names. |
| Software Binning | Virtual pixel binning (2x2, 4x4 etc.) allows increased light sensitivity with reduced image resolution without changing camera field of view. |
| SD Media Storage | Two UHS-I (SDR104) compatible SD memory card drives allow data transfer to low cost and convenient non-volatile removable media. |
| FASTDrive | Optional 1TB / 2TB solid state drive (SSD) memory pack provides ultra high data rate transfer to removable media. |

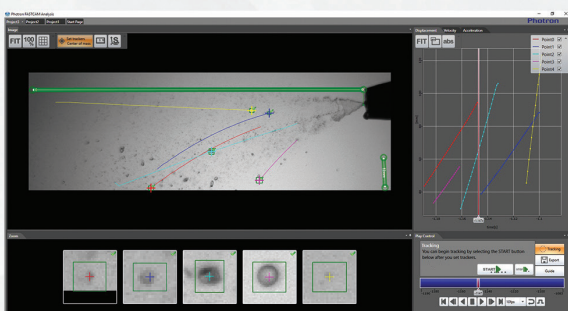
Software Operation Features

| | |
|------------------------------------|---|
| Image Calibration | 2D image calibration allows the measurement of distance and angle from the image. A calibration grid overlay can be superimposed on the image. |
| Image Overlay | A stored reference image may be overlaid on the live image to allow accurate camera positioning to achieve the same view as a previous test. |
| Import of Multiple Image Sequences | Multiple image sequences can be loaded and simultaneously replayed. Timing of image sequences can be adjusted to create a common time reference. Time based synchronization allows images captured at different frame rates to be synchronized. |
| High Dynamic Range Mode | Making use of the full sensor dynamic range, HDR mode allows enhanced detail in both light and dark areas of an image to be displayed simultaneously. |
| Motion Detector | In order to highlight subtle changes in an image, Motion Detector allows a reference image to be subtracted from a recorded sequence. Details including propagation of shock waves and surface changes during impact can be visualized using the feature. |
| Line Profile | A line profile representing grey levels along a line drawn across any region of the image is displayed. In live mode the Line Profile can be used to ensure optimum image focus is achieved. |
| Histogram | A histogram displaying grey levels within a user-defined image area is displayed. In live mode the Histogram can be used to ensure that optimum exposure levels are set for the scene being recorded. |



Photron FASTCAM Viewer:

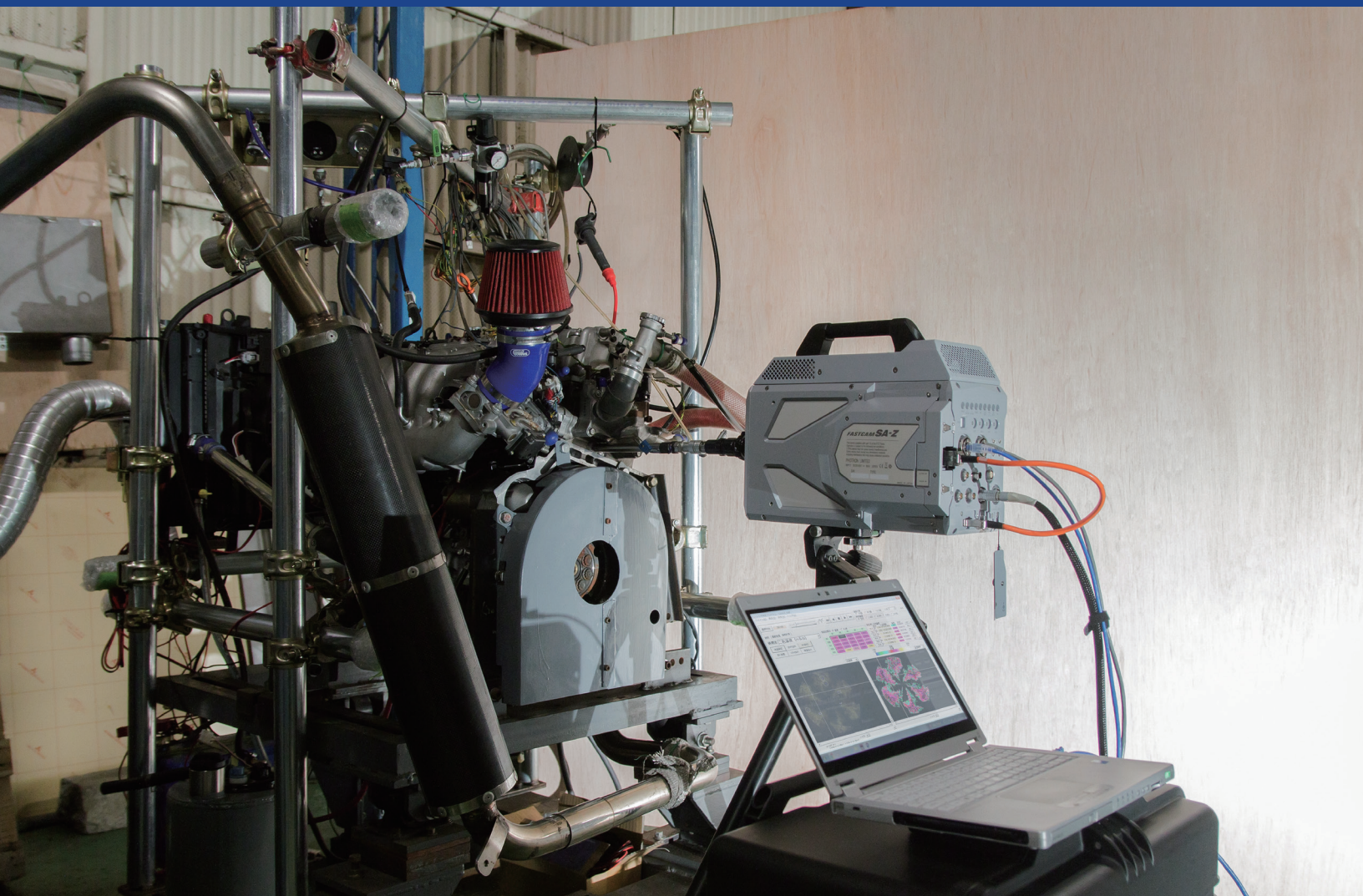
Photron FASTCAM Viewer software (PFV) has been designed to provide an intuitive and feature rich user interface for the control of Photron high-speed cameras, data saving, image replay and simple motion analysis. Advanced operation menus provide access to features for advanced camera operation and image enhancement. Tools are provided to allow image calibration and easy measurement of angles and distances from image data. Also included are a C++ SDK and wrappers for LabView and MATLAB ®.



An optional software plug-in module provides synchronisation between Photron high-speed cameras and data acquired through National Instruments data acquisition systems. Synchronised data captured by the DAQ system provides waveform information which can be viewed alongside high-speed camera images.

Photron FASTCAM Analysis:

PFV software allows image sequences to be exported directly to optional Photron FASTCAM Analysis (PFA) Motion Analysis software. This entry level Motion Analysis software with an on screen 'step by step guide' function launches automatically from Photron FASTCAM Viewer software, and provides automated tracking of up to 5 points using feature or correlation tracking algorithms for the automated analysis of motion within an image sequence.

**Variable Region of Interest:**

Region of Interest (ROI) or sub-windowing allows

a user-specified portion of the sensor to be defined to capture images. By using a reduced portion of the image area, the frame rate at which images are recorded can be increased. FASTCAM SA-Z allows the ROI to be set in increments of 128 pixels horizontal and 8 pixels vertical.

Square Image Sensor Format:

Unlike broadcast and media applications where image formats such as 16:9 have now become standard, in scientific and industrial imaging applications an image sensor with a 1:1 image format is generally accepted to be advantageous. To capture the maximum useful image data in applications including microscopy, detonics, combustion imaging and many others, a 1:1 sensor format provides greater flexibility than 'letterbox' image formats. The FASTCAM SA-Z image sensor allows the user to choose either square or rectangular image formats in order to obtain the maximum subject information.

External Frame Synchronization:

The FASTCAM SA-Z can be fully synchronized with an external event to allow the timing of when each individual image is captured to be precisely referenced. The camera can be accurately synchronized to unstable frequencies allowing complex events such as combustion in rapidly accelerating or decelerating engines to be recorded and studied.

Record During Download Operation:

FASTCAM SA-Z recording memory can be divided into multiple active sections. The user can record an on-going event in one memory partition while at the same time downloading a previously recorded image sequence in order to improve workflow and optimize camera operation.

| SA-Z 2100K | | | | | | | | | | | |
|----------------|------------|-----------|--------------|------------|--------------|------------|--------------|------------|--------------|------------|--------------|
| Resolution | Frame Rate | 8GB | | 16GB | | 32GB | | 64GB | | 128GB | |
| (h x v pixels) | Max fps | Frames | Time (sec)** | Frames | Time (sec)** | Frames | Time (sec)** | Frames | Time (sec)** | Frames | Time (sec)** |
| 1024 x 1024 | 20,000 | 5,453 | 0.27 | 10,914 | 0.55 | 21,837 | 1.09 | 43,682 | 2.18 | 87,373 | 4.37 |
| 1024 x 1000 | 21,000 | 5,584 | 0.27 | 11,176 | 0.53 | 22,361 | 1.06 | 44,731 | 2.13 | 89,470 | 4.26 |
| 1024 x 840 | 25,000 | 6,648 | 0.27 | 13,305 | 0.53 | 26,621 | 1.06 | 53,251 | 2.13 | 106,512 | 4.26 |
| 1024 x 512 | 40,000 | 10,908 | 0.27 | 21,831 | 0.55 | 43,676 | 1.09 | 87,367 | 2.18 | 174,748 | 4.37 |
| 640 x 488 | 60,000 | 18,313 | 0.31 | 36,649 | 0.61 | 73,320 | 1.22 | 146,663 | 2.44 | 293,349 | 4.89 |
| 512 x 456 | 75,000 | 24,499 | 0.33 | 49,027 | 0.65 | 98,083 | 1.31 | 196,195 | 2.62 | 392,420 | 5.23 |
| 640 x 280 | 100,000 | 31,919 | 0.32 | 63,876 | 0.64 | 127,789 | 1.28 | 255,615 | 2.56 | 511,268 | 5.11 |
| 512 x 256 | 120,000 | 43,640 | 0.36 | 87,331 | 0.73 | 174,712 | 1.46 | 349,475 | 2.91 | 699,000 | 5.83 |
| 384 x 176 | 200,000 | 84,638 | 0.42 | 169,371 | 0.85 | 338,838 | 1.69 | 677,772 | 3.39 | 1,355,639 | 6.78 |
| 512 x 56 | 480,000 | 199,507 | 0.42 | 399,236 | 0.83 | 798,693 | 1.66 | 1,597,608 | 3.33 | 3,195,438 | 6.66 |
| 384 x 64 | 525,000 | 232,758 | 0.44 | 465,775 | 0.89 | 931,809 | 1.77 | 1,863,877 | 3.55 | 3,728,012 | 7.10 |
| 256 x 56 | 700,000 | 399,016 | 0.57 | 798,474 | 1.14 | 1,597,389 | 2.28 | 3,195,219 | 4.56 | 6,390,879 | 9.13 |
| 128 x 56 | 900,000 | 798,035 | 0.89 | 1,596,950 | 1.77 | 3,194,780 | 3.55 | 6,390,440 | 7.10 | 12,781,761 | 14.20 |
| 256 x 24 | 1,008,000 | 931,041 | 0.92 | 1,863,109 | 1.85 | 3,727,244 | 3.70 | 7,455,514 | 7.40 | 14,912,054 | 14.79 |
| 128 x 32 | 1,200,000 | 1,396,563 | 1.16 | 2,794,664 | 2.33 | 5,590,867 | 4.66 | 11,183,272 | 9.32 | 22,368,083 | 18.64 |
| 128 x 8 | 2,100,000 | 5,586,259 | 2.66 | 11,178,664 | 5.32 | 22,363,475 | 10.65 | 44,733,096 | 21.30 | 89,472,339 | 42.61 |

| SA-Z 480K | | | | | | | | | | | |
|----------------|------------|-----------|--------------|------------|--------------|------------|--------------|------------|--------------|------------|--------------|
| Resolution | Frame Rate | 8GB | | 16GB | | 32GB | | 64GB | | 128GB | |
| (h x v pixels) | Max fps | Frames | Time (sec)** | Frames | Time (sec)** | Frames | Time (sec)** | Frames | Time (sec)** | Frames | Time (sec)** |
| 1024 x 1024 | 20,000 | 5,453 | 0.27 | 10,914 | 0.55 | 21,837 | 1.09 | 43,682 | 2.18 | 87,373 | 4.37 |
| 1024 x 1000 | 21,000 | 5,584 | 0.27 | 11,176 | 0.53 | 22,361 | 1.06 | 44,731 | 2.13 | 89,470 | 4.26 |
| 1024 x 840 | 25,000 | 6,648 | 0.27 | 13,305 | 0.53 | 26,621 | 1.06 | 53,251 | 2.13 | 106,512 | 4.26 |
| 1024 x 512 | 40,000 | 10,908 | 0.27 | 21,831 | 0.55 | 43,676 | 1.09 | 87,367 | 2.18 | 174,748 | 4.37 |
| 640 x 488 | 60,000 | 18,313 | 0.31 | 36,649 | 0.61 | 73,320 | 1.22 | 146,663 | 2.44 | 293,349 | 4.89 |
| 512 x 456 | 75,000 | 24,499 | 0.33 | 49,027 | 0.65 | 98,083 | 1.31 | 196,195 | 2.62 | 392,420 | 5.23 |
| 640 x 280 | 100,000 | 31,919 | 0.32 | 63,876 | 0.64 | 127,789 | 1.28 | 255,615 | 2.56 | 511,268 | 5.11 |
| 512 x 256 | 120,000 | 43,640 | 0.36 | 87,331 | 0.73 | 174,712 | 1.46 | 349,475 | 2.91 | 699,000 | 5.83 |
| 384 x 176 | 200,000 | 84,638 | 0.42 | 169,371 | 0.85 | 338,838 | 1.69 | 677,772 | 3.39 | 1,355,639 | 6.78 |
| 512 x 56 | 480,000 | 199,507 | 0.42 | 399,236 | 0.83 | 798,693 | 1.66 | 1,597,608 | 3.33 | 3,195,438 | 6.66 |
| 384 x 64 | 480,000 | 232,758 | 0.48 | 465,775 | 0.97 | 931,809 | 1.94 | 1,863,877 | 3.88 | 3,728,012 | 7.77 |
| 256 x 56 | 480,000 | 399,016 | 0.83 | 798,474 | 1.66 | 1,597,389 | 3.33 | 3,195,219 | 6.66 | 6,390,879 | 13.31 |
| 128 x 56 | 480,000 | 798,035 | 1.66 | 1,596,950 | 3.33 | 3,194,780 | 6.66 | 6,390,440 | 13.31 | 12,781,761 | 26.63 |
| 256 x 24 | 480,000 | 931,041 | 1.94 | 1,863,109 | 3.88 | 3,727,244 | 7.77 | 7,455,514 | 15.53 | 14,912,054 | 31.07 |
| 128 x 32 | 480,000 | 1,396,563 | 2.91 | 2,794,664 | 5.82 | 5,590,867 | 11.65 | 11,183,272 | 23.30 | 22,368,083 | 46.60 |
| 128 x 8 | 480,000 | 5,586,259 | 11.64 | 11,178,664 | 23.29 | 22,363,475 | 46.59 | 44,733,096 | 93.19 | 89,472,339 | 186.40 |

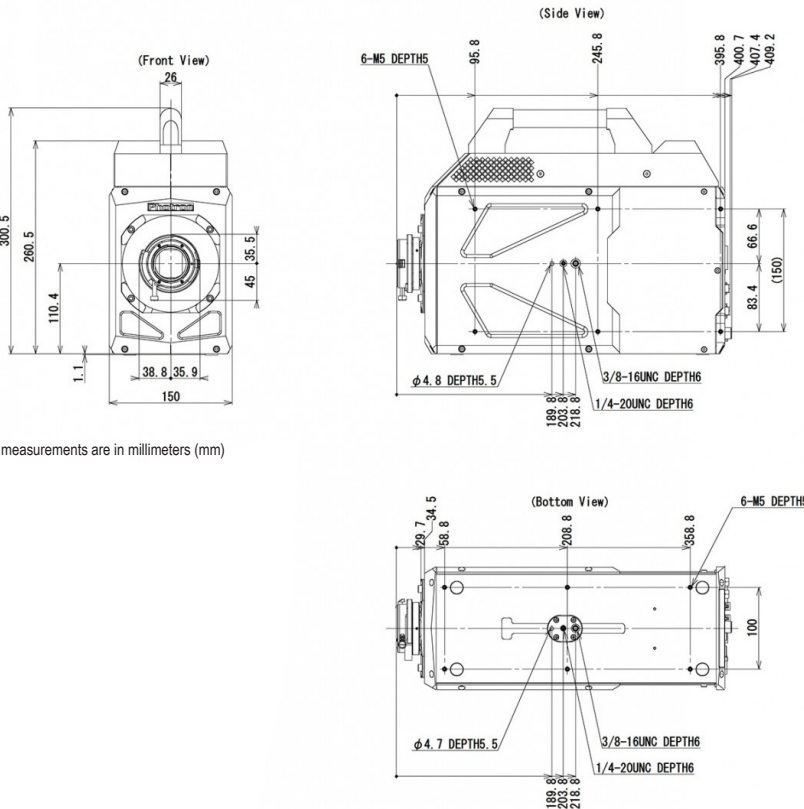
| SA-Z 200K | | | | | | | | | | | |
|----------------|------------|-----------|--------------|------------|--------------|------------|--------------|------------|--------------|------------|--------------|
| Resolution | Frame Rate | 8GB | | 16GB | | 32GB | | 64GB | | 128GB | |
| (h x v pixels) | Max fps | Frames | Time (sec)** | Frames | Time (sec)** | Frames | Time (sec)** | Frames | Time (sec)** | Frames | Time (sec)** |
| 1024 x 1024 | 20,000 | 5,453 | 0.27 | 10,914 | 0.55 | 21,837 | 1.09 | 43,682 | 2.18 | 87,373 | 4.37 |
| 1024 x 1000 | 21,000 | 5,584 | 0.27 | 11,176 | 0.53 | 22,361 | 1.06 | 44,731 | 2.13 | 89,470 | 4.26 |
| 1024 x 840 | 25,000 | 6,648 | 0.27 | 13,305 | 0.53 | 26,621 | 1.06 | 53,251 | 2.13 | 106,512 | 4.26 |
| 1024 x 512 | 40,000 | 10,908 | 0.27 | 21,831 | 0.55 | 43,676 | 1.09 | 87,367 | 2.18 | 174,748 | 4.37 |
| 640 x 488 | 60,000 | 18,313 | 0.31 | 36,649 | 0.61 | 73,320 | 1.22 | 146,663 | 2.44 | 293,349 | 4.89 |
| 512 x 456 | 75,000 | 24,499 | 0.33 | 49,027 | 0.65 | 98,083 | 1.31 | 196,195 | 2.62 | 392,420 | 5.23 |
| 640 x 280 | 100,000 | 31,919 | 0.32 | 63,876 | 0.64 | 127,789 | 1.28 | 255,615 | 2.56 | 511,268 | 5.11 |
| 512 x 256 | 120,000 | 43,640 | 0.36 | 87,331 | 0.73 | 174,712 | 1.46 | 349,475 | 2.91 | 699,000 | 5.83 |
| 384 x 176 | 200,000 | 84,638 | 0.42 | 169,371 | 0.85 | 338,838 | 1.69 | 677,772 | 3.39 | 1,355,639 | 6.78 |
| 512 x 56 | 480,000 | 199,507 | 0.42 | 399,236 | 0.83 | 798,693 | 1.66 | 1,597,608 | 3.33 | 3,195,438 | 6.66 |
| 384 x 64 | 525,000 | 232,758 | 0.44 | 465,775 | 0.89 | 931,809 | 1.77 | 1,863,877 | 3.55 | 3,728,012 | 7.10 |
| 256 x 56 | 700,000 | 399,016 | 0.57 | 798,474 | 1.14 | 1,597,389 | 2.28 | 3,195,219 | 4.56 | 6,390,879 | 9.13 |
| 128 x 56 | 900,000 | 798,035 | 0.89 | 1,596,950 | 1.77 | 3,194,780 | 3.55 | 6,390,440 | 7.10 | 12,781,761 | 14.20 |
| 256 x 24 | 1,008,000 | 931,041 | 0.92 | 1,863,109 | 1.85 | 3,727,244 | 3.70 | 7,455,514 | 7.40 | 14,912,054 | 14.79 |
| 128 x 32 | 1,200,000 | 1,396,563 | 1.16 | 2,794,664 | 2.33 | 5,590,867 | 4.66 | 11,183,272 | 9.32 | 22,368,083 | 18.64 |
| 128 x 8 | 2,100,000 | 5,586,259 | 2.66 | 11,178,664 | 5.32 | 22,363,475 | 10.65 | 44,733,096 | 21.30 | 89,472,339 | 42.61 |

* Specifications subject to change without notice.

** Recording time is an estimate and may be different depending on recording conditions and settings.

Mechanical and Environmental Specifications

| Mechanical | |
|--|---|
| Lens Mount | F-mount (G-type lens compatible) and C-mount provided - Optional lens mounts available include Canon EF remote control mount |
| Camera Mountings | 7 x 1/4 - 20 UNC (base, top and sides), 3 x 3/8 - 16 UNC (base and sides) |
| External Dimensions | |
| Camera Body (excluding protrusions) | 261.6mm (H) x 150mm (W) x 375.4mm (D) 10.3" (H) x 5.9" (W) x 14.8" (D) |
| Weight | |
| Camera Body | 10.4kg (22.93lbs) |
| Environmental | |
| Operating Temperature | 0 to 45C, 32° to 113°F |
| Storage Temperature | -20 to 60C, -4° to 140°F |
| Humidity | 85% or less (non-condensing) |
| Operational Shock | Tested to 25G, 11ms, 6-axes, 10 times/axis |
| Cooling | Internal fan cooling (fan-off mode supported) |
| Power | |
| AC Power (with supplied adapter) | 100 to 240V, 50 to 60Hz |
| DC Power | 20 to 36V, 230VA |



All measurements are in millimeters (mm)

Remote Control LCD Keypad:

An optional hand-held remote control keypad is available to enhance field operation. The keypad provides the operator with local control of all primary camera functions to simplify camera set-up and allow operation without PC connection.

Nikon G-Type Compatible Lens Fitting:

The FASTCAM SA-Z camera is equipped with an objective lens mount compatible with readily available Nikon G-type lenses. Controls provided within the lens mount allow the control of lens aperture on lenses without external iris control.

Canon EF Lens Mount Option:

An optional lens mount supporting Canon EF lenses is available for the FASTCAM SA-Z providing remote control of lens aperture and iris through Photron PFV software.

Rugged Design:

The FASTCAM SA-Z has been designed for operation in harsh environments. Usage of the system in high shock conditions has been confirmed by testing the system at 25G 11ms, 6-axes, 10times/axis during operation.

Operation Environments:

The 'sealed body' design of the FASTCAM SA-Z utilizes heat-pipe technology to ensure that during operation heat can be effectively drawn out from the inside of the system and dissipated via externally mounted fans. This ensures optimum air flow and prevents dust and corrosive particles from being ingested within the camera body where they can damage sensitive electronics. The fans may be disabled during recording for any vibration sensitive measurements.

The FASTCAM SA-Z camera has been extensively tested to ensure operation for extended periods in ambient temperatures up to 45 degrees C.

Specifications subject to change without notice.

PHOTRON USA, INC.
9520 Padgett Street, Suite 110
San Diego, CA 92126
USA

Tel: 858.684.3555 or 800.585.2129
Fax: 858.684.3558
Email: image@photron.com
www.photron.com

PHOTRON EUROPE LIMITED
The Barn, Bottom Road
West Wycombe, Bucks. HP14 4BS
United Kingdom

Tel: +44 (0) 1494 481011
Fax: +44 (0) 1494 487011
Email: image@photron.com
www.photron.com

PHOTRON (Shanghai)
Room 20C, Zhao-Feng
World Trade Building
No. 369, JiangSu Road
ChangNing District
Shanghai, 200050 China
Tel: +86 (0) 21-5268-3700
Email: info@photron.cn.com
www.photron.cn.com

PHOTRON LIMITED
Kanda Jinbo-cho 1-105
Chiyoda-ku, Tokyo 101-0051
Japan

Tel: +81 (0) 3 3518-6271
Fax: +81 (0) 3 3518-6279
Email: image@photron.co.jp
www.photron.co.jp